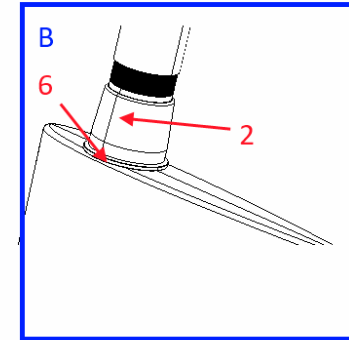
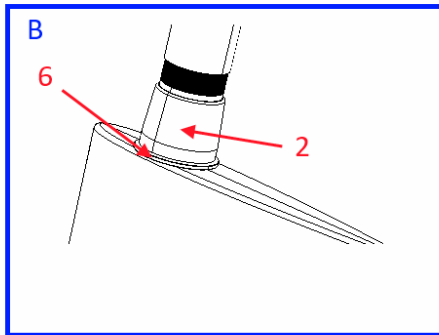
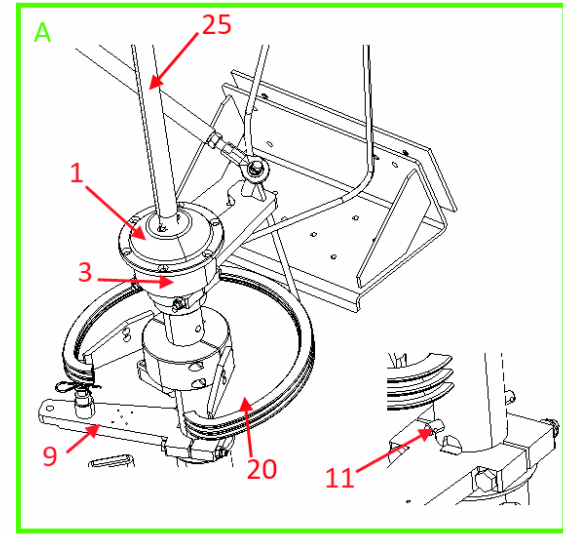
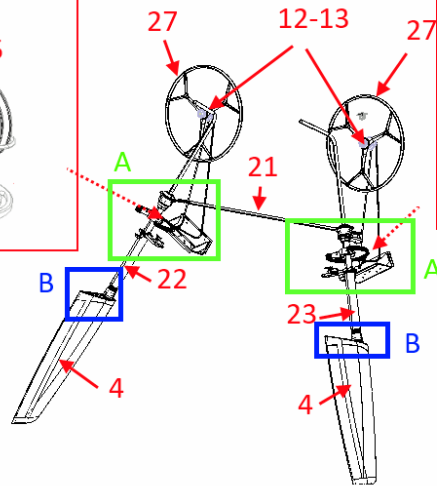
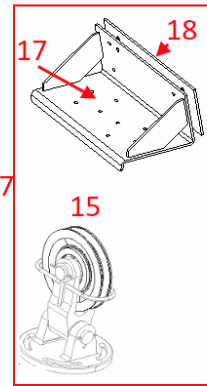
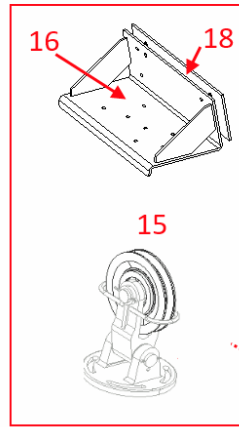
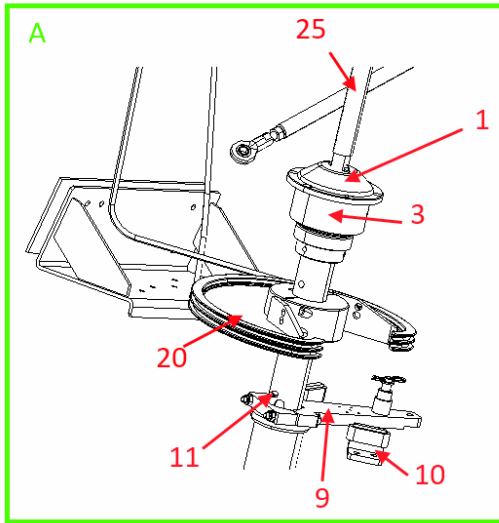


STEERING SYSTEM



STEERING SYSTEM

option	Pos.	Part No.	Description	Quant. per boat	Version / Option	SS_FAM	Begining hull number	Ending hull number
	1	206753	LOCKER PLAST LOWER BEARING JEFA D60D70	2,000		SYSTEME DIRECTION		
	1	207767	G R P EPOXY PIPE D 86X 76 L554	2,000	YANMAR 4JH80CR S2 (80CV)D	SYSTEME DIRECTION		
	1	071662	STERN TUBE 35X60X260+P EPOXY	1,000	YANMAR 4JH110CR (110CV)D	SYSTEME DIRECTION		
	1	207767	G R P EPOXY PIPE D 86X 76 L554	2,000	YANMAR 4JH110CR (110CV)D	SYSTEME DIRECTION		
	2	207654	LOWER BEARING D 60 JEFA	2,000		SYSTEME DIRECTION		
	3	198563	UPPER BEARING D 60 JEFA	2,000		SYSTEME DIRECTION		
	4	207707	SAFRAN PR FY5MA M INOX R9016	2,000		SYSTEME DIRECTION		
	5	219981	PIN D10X 55 INOX	2,000		SYSTEME DIRECTION	3	
	6	212654	COMPENSATION RING 110X 61X 5	2,000		SYSTEME DIRECTION		
	7	207652	BALL STOP D60 JEFA	2,000		SYSTEME DIRECTION		
	8	214151	WASHER POM JEFA 5X99X4_5	2,000		SYSTEME DIRECTION		
	9	192992	RUDDER SHAFT OC5SB SIDE D60	2,000		SYSTEME DIRECTION		
	10	168631	RUDDER STOP OC6SA	4,000		SYSTEME DIRECTION		
	11	137006	GOUPILLE D10X 85 SECT.	2,000		SYSTEME DIRECTION		
	12	127823	BULKHEAD STEERING SYSTEM	1,000		SYSTEME DIRECTION		
	13	127825	BULCK.STEERING SYST.W/NO BRAKE 10D LEWM.	1,000		SYSTEME DIRECTION		
	14	072329	STEERING GEAR CHAIN 5/8" 35+2M GOIOT	2,000		SYSTEME DIRECTION		
	15	093088	NYL SHEAVE SINGLE BALL BEARING GOIOT	4,000		SYSTEME DIRECTION		
	16	208780	PORT SUPPORT SHEEVES OY5MA	1,000		SYSTEME DIRECTION		
	17	208737	STBD SUPPORT SHEEVES OY5MA	1,000		SYSTEME DIRECTION		
	18	207647	C PLATE SUPP AC ROLLER FY5MA	2,000		SYSTEME DIRECTION		
	19	212439	STEERING CABLE OY5MA AM	1,000		SYSTEME DIRECTION		12

